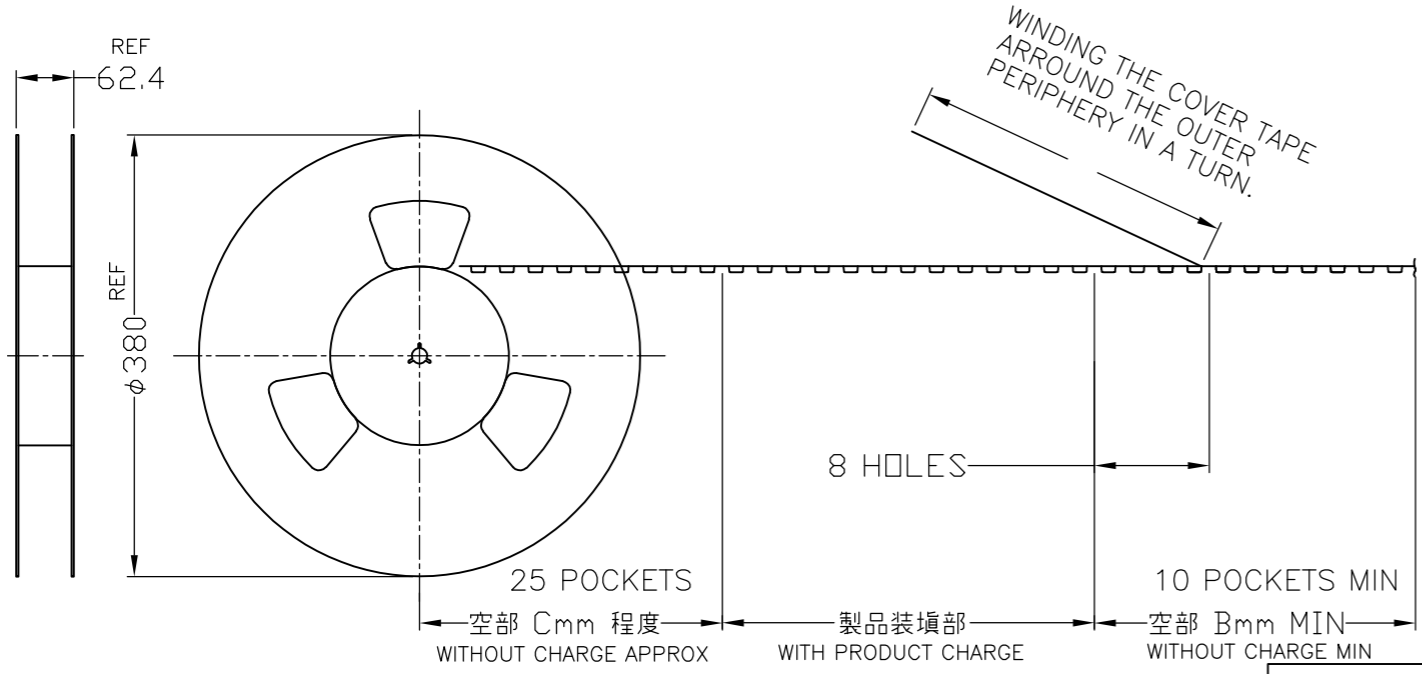
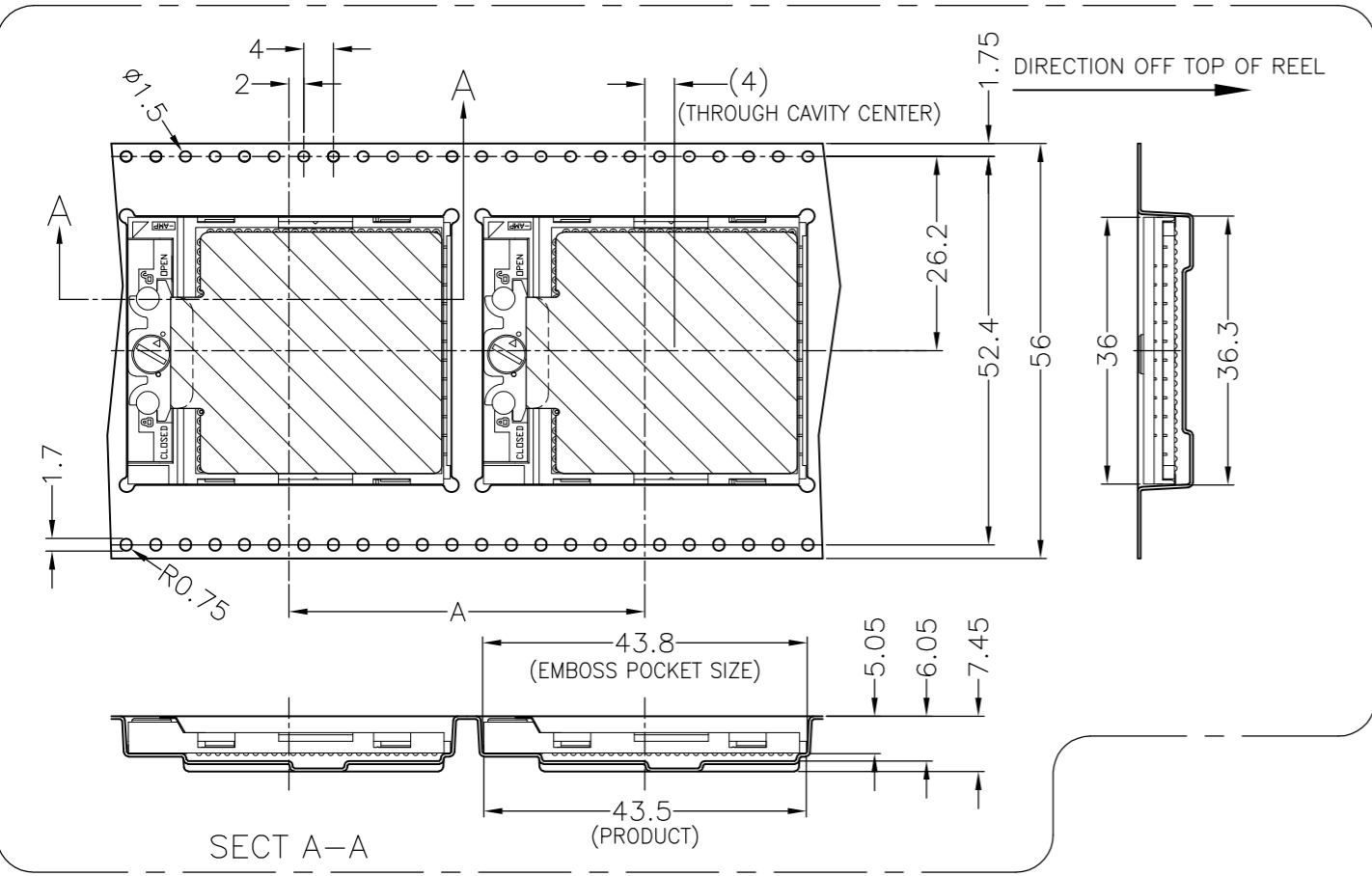


THIS DRAWING IS UNPUBLISHED. RELEASED FOR PUBLICATION 2001.

© COPYRIGHT 2001 BY TYCO ELECTRONICS CORPORATION. ALL RIGHTS RESERVED.

| LOC | DIST | REVISIONS | | | | | |
|-----|------|-----------|-----|-----------------------|---------|-----|------|
| J | . | P | LTR | DESCRIPTION | DATE | DWN | APVD |
| | | K | | REVISED ECR-06-025231 | 17APR07 | C.D | H.S |



| PICK AND PLACE PART DIFFERENCE | | | |
|--------------------------------|----------------------|---------------|-------------------------------------|
| | | | |
| MASK TAPE (50 MICRO) | MASK TAPE (75 MICRO) | CAP | MASK TAPE(CENTER OPENED) (50 MICRO) |
| WEIGHT:6.4(g) | WEIGHT:6.4(g) | WEIGHT:7.8(g) | WEIGHT:6.4(g) |

| SOCKET TYPE VARIATIONS | | | | |
|------------------------|-------------------------|-------------------------|-------------------------|------------------|
| | | | | |
| 479M STANDARD | 478A TYPE STANDARD | 478B TYPE STANDARD | 478C TYPE STANDARD | 479M WITH PEG |
| | | | | |
| 479M 180DEG ROTATE | 478A TYPE 180DEG ROTATE | 478B TYPE 180DEG ROTATE | 478C TYPE 180DEG ROTATE | 479M WITHOUT PEG |

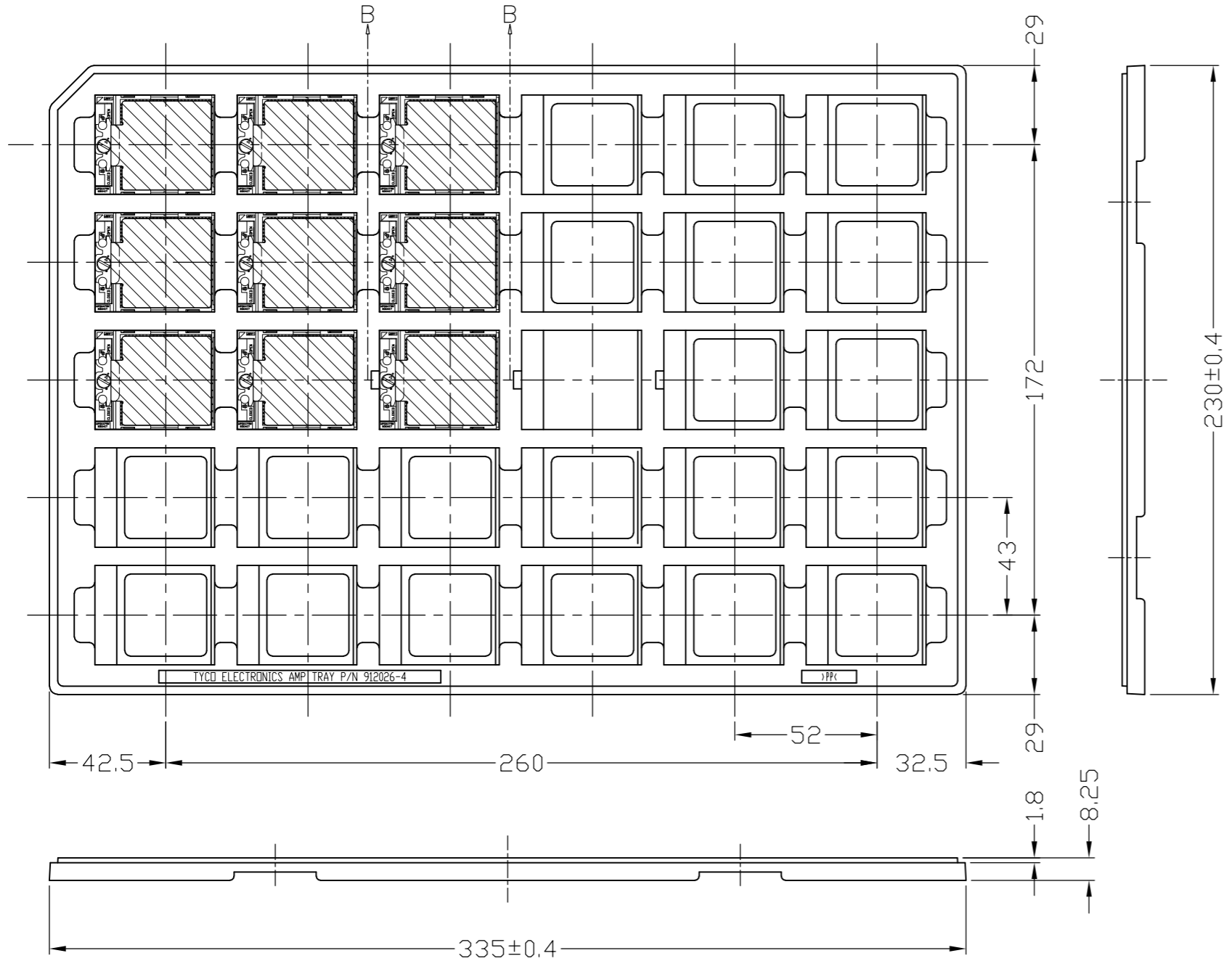
⚠ MATERIAL
 EMBOSS TAPE : PET
 COVER TAPE : PET
 PROTECTION BAND : PAPER

TAPE AND REEL PACKING
 AS SHOWN

| | | | | | |
|--|--|---|-----------------------------------|--|----------------------|
| THIS DRAWING IS A CONTROLLED DOCUMENT. | | DWN A.KUBO 20JAN03 | tyco Electronics | Tyco Electronics AMP K.K. Kawasaki, Japan | |
| DIMENSIONS: MM | | CHK S.ABE 21JAN03 | | NAME | |
| TOLERANCES UNLESS OTHERWISE SPECIFIED: | | APVD H.SHIRAI 21JAN03 | PACKING ASSY | | |
| 0 PLC ± 0.3 | | PRODUCT SPEC 108-5744 | mPGA47X SOCKET LEAD FREE BALL | | |
| 1 PLC ± 0.3 | | APPLICATION SPEC INSTRUCTION SHEET 411-5983 | SIZE A3 | CAGE CODE 00779 | DRAWING NO C-1674770 |
| 2 PLC ± 0.3 | | WEIGHT SEE TABLE | RESTRICTED TO | | |
| 3 PLC ± 0.3 | | CUSTOMER DRAWING | SCALE NTS | SHEET 1 OF 3 | REV K |
| 4 PLC ± 0.3 | | | | | |
| ANGLES ± 3' | | | | | |
| FINISH | | | | | |

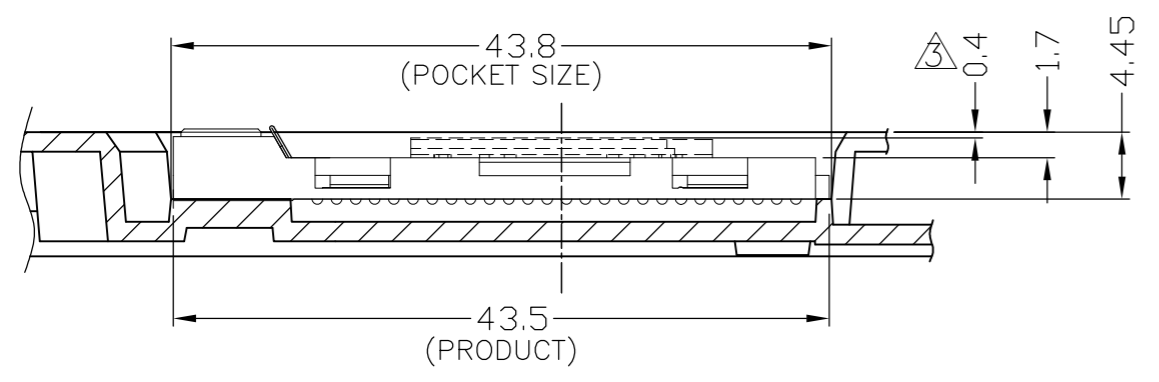
THIS DRAWING IS UNPUBLISHED. RELEASED FOR PUBLICATION 2001.
 © COPYRIGHT 2001 BY TYCO ELECTRONICS CORPORATION. ALL RIGHTS RESERVED.

| LOC | DIST | REVISIONS | | | | | |
|-----|------|-----------|-----|-------------|------|-----|------|
| | | P | LTR | DESCRIPTION | DATE | DWN | APVD |
| J | . | - | - | SEE SHEET 1 | - | - | - |



△ MATERIAL PP
 △ IN CASE OF PICK AND PLACE CAP ITEM

TRAY PACKING AS SHOWN



SECTION B-B
SCALE 2:1


| | | | | | |
|--|--|------------------------------------|--|---|---------------|
| THIS DRAWING IS A CONTROLLED DOCUMENT. | | DWN | | Tyco Electronics AMP K.K. Kawasaki, Japan | |
| DIMENSIONS: MM | | CHK | | NAME | |
| TOLERANCES UNLESS OTHERWISE SPECIFIED: 0 PLC ± 0.3 1 PLC ± 0.3 2 PLC ± 0.3 3 PLC ± 0.3 4 PLC ANGLES ± 0.3 | | APVD | | PACKING ASSY mPGA47X SOCKET LEAD FREE BALL | |
| MATERIAL | | PRODUCT SPEC | | SIZE | RESTRICTED TO |
| FINISH | | APPLICATION SPEC INSTRUCTION SHEET | | CAGE CODE | |
| △ | | WEIGHT | | DRAWING NO | |
| | | CUSTOMER DRAWING | | A3 | |
| | | SCALE NTS | | 00779 | |
| | | SHEET 2 OF 3 | | 1674770 | |
| | | REV K | | | |

THIS DRAWING IS UNPUBLISHED. RELEASED FOR PUBLICATION 2001. ALL RIGHTS RESERVED.

© COPYRIGHT 2001 BY TYCO ELECTRONICS CORPORATION.

| LOC | DIST | REVISIONS | | | | | |
|-----|------|-----------|-----|-------------|------|-----|------|
| | | P | LTR | DESCRIPTION | DATE | DWN | APVD |
| J | . | | | SEE SHEET 1 | - | - | - |

| TAPE AND REEL PITCH | WITH MASK TAPE (THK) | WEIGHT(kg) | C | B | A | SOCKET QTY PER TRAY OR REEL | SOCKET P/NS REF. ONLY | SALEABLE PART NO. | NAME |
|---------------------------|---|------------|-----------|-----|----|-----------------------------|-----------------------|-------------------|-----------------------------|
| TAPE AND REEL PITCH 56 mm | WITH MASK TAPE (THK 75 MICRO) | 1.88 | 1400 | 560 | 56 | 160 | 7-1674772-2 | 7-1674770-2 | 478B TYPE 180 DEGREE ROTATE |
| TAPE AND REEL PITCH 56 mm | WITH MASK TAPE (THK 75 MICRO) | 1.88 | 1400 | 560 | 56 | 160 | 6-1674772-2 | 6-1674770-2 | 478A TYPE 180 DEGREE ROTATE |
| TAPE AND REEL PITCH 56 mm | WITH MASK TAPE (THK 75 MICRO) | 1.88 | 1400 | 560 | 56 | 160 | 5-1674772-2 | 5-1674770-2 | 479M STD 180 DEGREE ROTATE |
| HARD TRAY | WITH CAP | 0.354 | | | | 30 | 4-1674772-4 | 4-1674770-4 | 479M WO/PEG |
| HARD TRAY | WITH MASK TAPE (THK 50 MICRO) | 0.312 | | | | 30 | 4-1674772-3 | 4-1674770-3 | |
| HARD TRAY | WITH CAP | 0.354 | | | | 30 | 4-1674772-2 | 4-1674770-2 | 479M W/PEG |
| HARD TRAY | WITH MASK TAPE (THK 50 MICRO) | 0.312 | | | | 30 | 4-1674772-1 | 4-1674770-1 | |
| HARD TRAY | WITH CAP | 0.354 | | | | 30 | 3-1674772-3 | 3-1674770-9 | 478C TYPE |
| HARD TRAY | WITH MASK TAPE (THK 75 MICRO) | 0.312 | | | | 30 | 3-1674772-2 | 3-1674770-8 | |
| TAPE AND REEL PITCH 56 mm | WITH MASK TAPE (THK 75 MICRO) | 1.88 | 1400 | 560 | 56 | 160 | 3-1674772-2 | 3-1674770-2 | 478B STD. BLACK |
| HARD TRAY | WITH CAP | 0.354 | | | | 30 | 2-1674772-9 | 2-1674770-9 | |
| HARD TRAY | WITH CAP | 0.354 | | | | 30 | 2-1674772-6 | 2-1674770-6 | 478B STD. Cover: PURPLE |
| HARD TRAY | WITH MASK TAPE (THK 75 MICRO) | 0.312 | | | | 30 | 2-1674772-4 | 2-1674770-5 | |
| TAPE AND REEL PITCH 56 mm | WITH MASK TAPE (THK 75 MICRO) | 1.88 | 1400 | 560 | 56 | 160 | 2-1674772-4 | 2-1674770-4 | 478B TYPE |
| TAPE AND REEL PITCH 56 mm | WITH MASK TAPE (THK 75 MICRO) | 1.88 | 1400 | 560 | 56 | 160 | 2-1674772-2 | 2-1674770-2 | |
| TAPE AND REEL PITCH 56 mm | WITH MASK TAPE (THK 50 MICRO) | 1.88 | 1400 | 560 | 56 | 160 | 2-1674772-1 | 2-1674770-1 | 478A STD. Cover: YELLOW |
| TAPE AND REEL PITCH 56 mm | WITH CAP | 2.13 | 1400 | 560 | 56 | 160 | 1-1674772-5 | 4-1674770-7 | |
| TAPE AND REEL PITCH 56 mm | WITH MASK TAPE (THK 75 MICRO) | 1.88 | 1400 | 560 | 56 | 160 | 1-1674772-4 | 4-1674770-6 | 478A TYPE |
| HARD TRAY | WITH MASK TAPE (THK 75 MICRO) | 0.312 | | | | 30 | 1-1674772-2 | 1-1674770-5 | |
| TAPE AND REEL PITCH 56 mm | WITH MASK TAPE (THK 75 MICRO) | 1.88 | 1400 | 560 | 56 | 160 | 1-1674772-2 | 1-1674770-2 | 479M STANDARD |
| HARD TRAY | WITH MASK TAPE CENTER OPENED (THK 50 MICRO) | 0.312 | | | | 30 | 4-1674772-5 | 4-1674770-5 | |
| HARD TRAY | WITH CAP | 0.354 | | | | 30 | 1674772-3 | 1674770-9 | |
| HARD TRAY | WITH MASK TAPE (THK 75 MICRO) | 0.312 | | | | 30 | 1674772-2 | 1674770-8 | |
| HARD TRAY | WITH MASK TAPE (THK 50 MICRO) | 0.312 | | | | 30 | 1674772-1 | 1674770-7 | |
| TAPE AND REEL PITCH 48 mm | WITH CAP | 2.42 | 1200 | 480 | 48 | 200 | 1674772-3 | 1674770-6 | |
| TAPE AND REEL PITCH 48 mm | WITH MASK TAPE (THK 75 MICRO) | 2.14 | 1200 | 480 | 48 | 200 | 1674772-2 | 1674770-5 | |
| TAPE AND REEL PITCH 48 mm | WITH MASK TAPE (THK 50 MICRO) | 2.14 | 1200 | 480 | 48 | 200 | 1674772-1 | 1674770-4 | |
| TAPE AND REEL PITCH 56 mm | WITH CAP | 2.13 | 1400 | 560 | 56 | 160 | 1674772-3 | 1674770-3 | |
| TAPE AND REEL PITCH 56 mm | WITH MASK TAPE (THK 75 MICRO) | 1.88 | 1400 | 560 | 56 | 160 | 1674772-2 | 1674770-2 | |
| TAPE AND REEL PITCH 56 mm | WITH MASK TAPE (THK 50 MICRO) | 1.88 | 1400 | 560 | 56 | 160 | 1674772-1 | 1674770-1 | |
| PACKING | REMARKS | WEIGHT(kg) | DIMENSION | | | SOCKET QTY PER TRAY OR REEL | SOCKET P/NS REF. ONLY | SALEABLE PART NO. | NAME |

| | | | | | | |
|--|--|------------------------------------|--|-----------|------------|---------------|
| THIS DRAWING IS A CONTROLLED DOCUMENT. | | DWN |  Tyco Electronics AMP K.K. Kawasaki, Japan | | | |
| DIMENSIONS: MM | | CHK | | | | |
| TOLERANCES UNLESS OTHERWISE SPECIFIED: | | APVD | NAME | | | |
| 0 PLC ± 0.3 1 PLC ± 0.3 2 PLC ± 0.3 3 PLC ± 0.3 4 PLC ± 0.3 ANGLES ± 3' | | PRODUCT SPEC | PACKING ASSY mPGA47X SOCKET LEAD FREE BALL | | | |
| MATERIAL | | APPLICATION SPEC INSTRUCTION SHEET | SIZE | CAGE CODE | DRAWING NO | RESTRICTED TO |
| FINISH | | WEIGHT | A3 | 00779 | 1674770 | - |
| CUSTOMER DRAWING | | | SCALE | SHEET | REV | |
| | | | NTS | 3 OF 3 | K | |